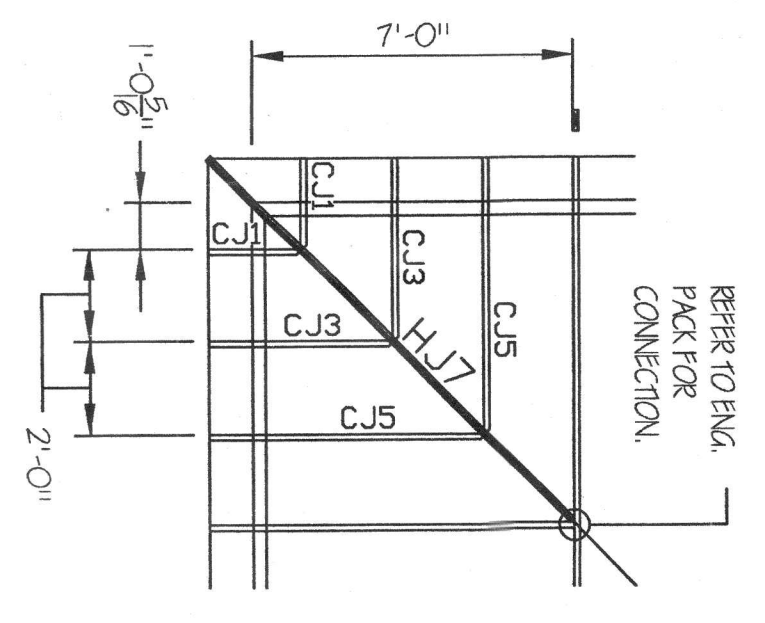


Truss member design & connector plates are designed for ASCE 7-98 and maximum forces from both component and cladding and main wind force resisting systems.



HANGER CHART
 ΔA = HUS 26 (STIMPSON)
 ΔB = LUS24 (STIMPSON)
 ΔC = HUS28-2 (STIMPSON)

ATTENTION!

REFER TO HIB-91
 TRUSS CONNECTIONS

Total Truss Quantity = 331

THIS IS A TRUSS PLACEMENT PLAN. IT IS INTENDED TO AID IN THE INSTALLATION OF TRUSSES. ENGINEERED TRUSS DRAWINGS AND ARCHITECTURAL SPECIFICATIONS SUPERSEDE THIS DOCUMENT.

General Notes

- All girders above trusses, steel joists and floor girders have the top chord partially painted green to be installed green side up. (See HIB-91 for details.)
- Trusses are to be shipped (HIB-91) unless otherwise noted.
- All truss spacing is 24" O.C. unless otherwise noted.
- Per Truss Plate Institute HIB-91 recommendation, all trusses shall be installed with the top chord facing up and to be installed with a minimum of 20" between each X-brace throughout the structure. Please refer to HIB-91 for any additional bracing details.

ROOF LOADING SCHEDULE

TCLL	= 20	PSF
TCDL	= 15	PSF
BCDL	= 10	PSF
TOTAL	= 45	PSF
DURATION	= 1.25	%
WIND SPD./TYPE	= 130	PARTIALLY ENCLOSED
BLDG EXPOSURE	= B	USAGE = RESIDENTIAL: CAT II
WIND IMPORTANCE FACTOR	= 1	UPLIFTS BASED ON = 15
EQUVELANCY LOADING NOTE		

FLOOR LOADING SCHEDULE

TCLL	=	PSF
TCDL	=	PSF
BCDL	=	PSF
TOTAL	=	PSF

ROOF DESIGNED FOR TILE

ALL REACTIONS OVER 5000# AND UPLIFTS OVER 1000# ARE SHOWN ON LAYOUT.

WALL KEY

9'-4"
 8'-0"

LOAD#	DESCRIPTION	INIT.	DATE
B/01	ENGINEERING	JC	12/9/03
B/01	MATCH BP	JM	1/28/04
B/01	PART. ENCL.	JM	1/28/04
B/01	ADDED FIREWALL TRUSSES	JM	5/12/04
B/01	REMOVED FIREWALL TRUSSES	JM	8/2/04
B/01	ADDED FIREWALL TRUSSES	JM	8/2/04
B/01	FIX VALVES+CHG INT'X ELT	JM	10/29/04

CARPENTER CONTRACTORS OF AMERICA

3900 AVENUE G
 PLUMMER, MO 65059
 PHONE: (636) 959-8806
 FAX: (636) 294-2488

BUILDER: RYLAND HOMES
 PROJECT: HERONS GLEN
 MODEL: 4-PILEX
 CCA PROJ./MODEL/ALT
 Y40 / 4P
 ALT DESC:
 LOT: BLOCK:

DESIGNER: F/C
 DATE: 12/9/03
 SCALE: 3/16"=1'
 LAN#: 68856
 10/28/2006 10:00:00 AM